



DRAINS BY DESIGN



Stainless Steel Drainage Systems

Designed for
a Lifetime of
Value and
Performance



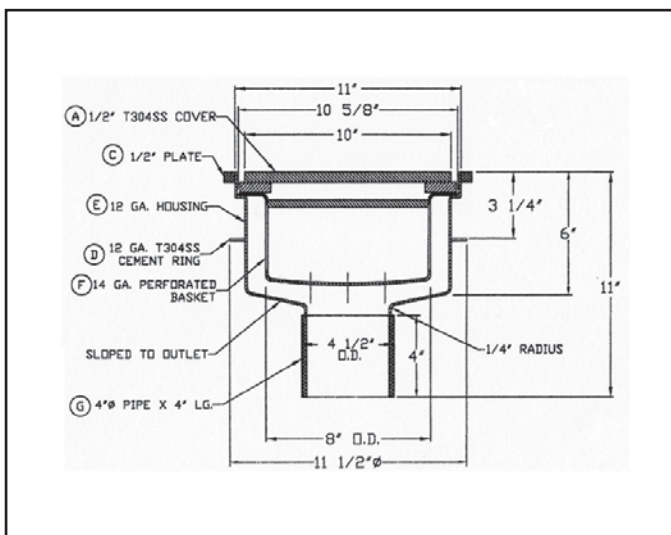
STAINLESS STEEL FLOOR DRAINS WITH CLEANOUTS, SOLID OR PERFORATED COLLECTING BASKETS, P-TRAPS, OR VAPOR TRAPS -- LOCKING COVERS AVAILABLE



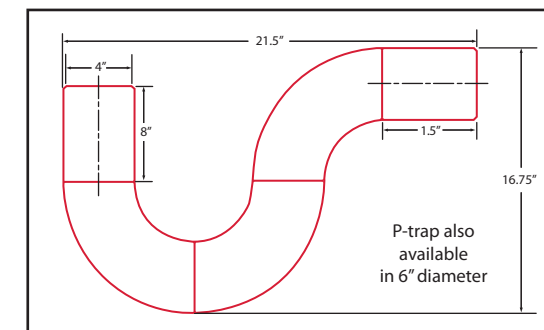
TUFCO Floor Drains also come in 3", 4", or 6" sizes, with a solid top plate and heavy basket. Additional sizes are available upon request.



TUFCO Drains with cleanouts and P-traps are securely and smoothly welded for years of worry-free operation.



OUTLET SIZES	
Model No.	Outlet Size
DRAINS	
TD 30	3" Schedule 40
TD 40	4" Schedule 40
TD 60	6" Schedule 40
CLEANOUTS	
TC 40	4" Schedule 40
TC 60	6" Schedule 40



TUFCO® TD SERIES SPECIFICATIONS

The TUFCO® TD Drain Series is designed specifically for cement, tile, or resinous industrial floors. Our Schedule 40 pipe outlets are built using an industrial finish stainless steel, with removeable solid or perforated baskets. The TD Series can be designed with multiple options to meet your environment's needs. Not only is cleaning easy – just lift the floor cover and collecting basket – but the generous diameter sewage discharge pipe become fully exposed when the drain is opened. Our floor level covers withstand heavy loads, high traffic, fork lifts, and four-wheel carts.

We Have Over 30 Years' Experience in Many Environments Including:

Dairy ~ Poultry ~ Meat
 Industrial ~ Commercial ~ Food Processing



TUFCO Cleanouts are supplied with a 4" or 6" outlet. Additional sizes are available upon request.



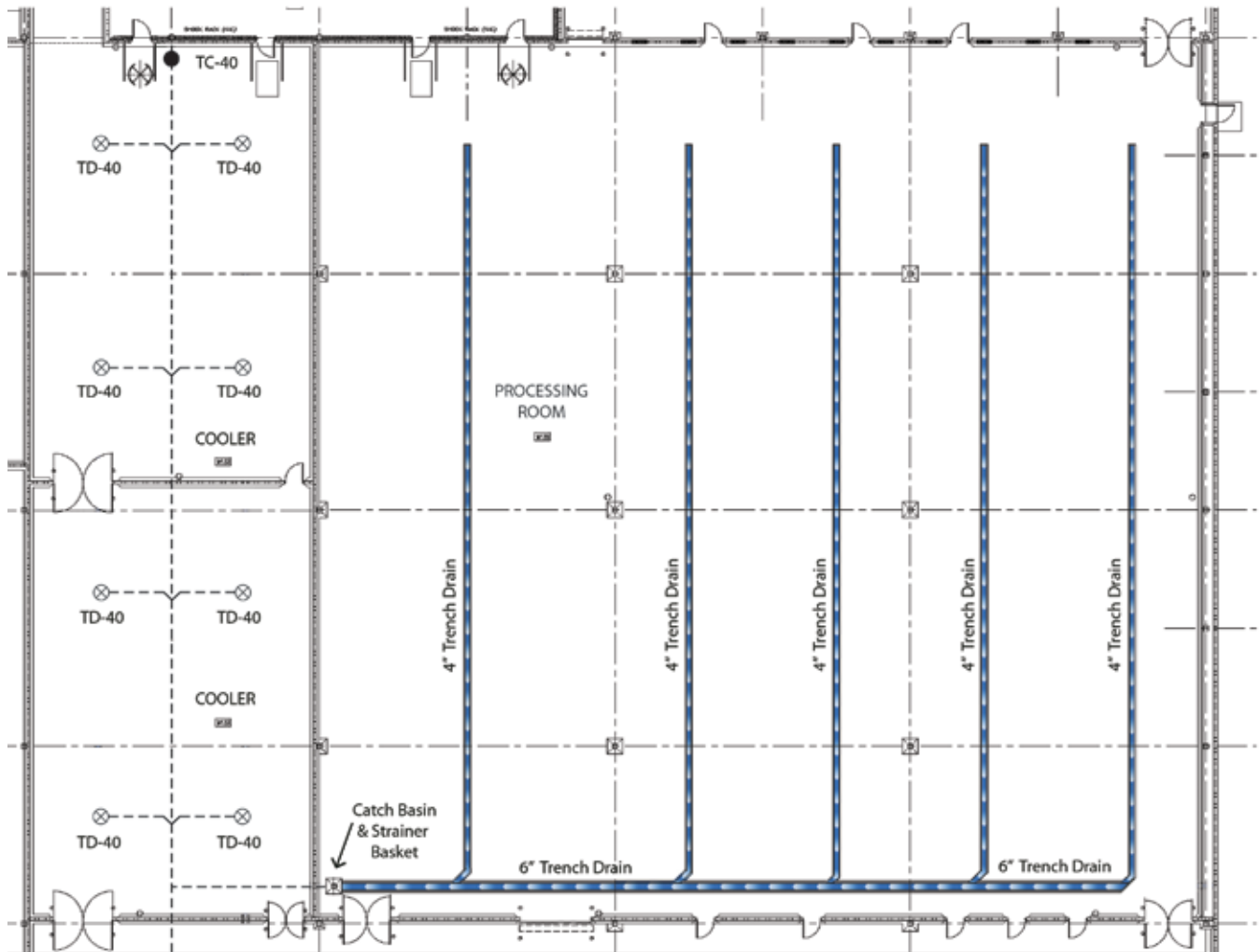
TUFCO provides drains with vapor traps in standard sizes, or will gladly customize them to meet your specifications.



TUFCO Floor Drains, which are available with or without locking covers, provide a safe and sturdy walking surface for your employees.

- WHY CHOOSE STAINLESS STEEL?**
- Uniform Quality
 - Lifetime of Value
 - No Cracks
 - No Erosion
 - Easy to Clean
 - No Maintenance
 - No Joints to Caulk
 - Custom or Standard Sizes Available
 - No Bacteria Problems as in Porous Concrete or Cracked Polymer Types
 - Recognized as SAFE for food processing worldwide.
 - Always FREE Courteous Estimates and Service Before and After the Sale

WE WILL BE HAPPY TO WORK WITH YOU TO DESIGN AND LAY OUT THE DRAINAGE SYSTEM BEST FOR YOUR ENVIRONMENT

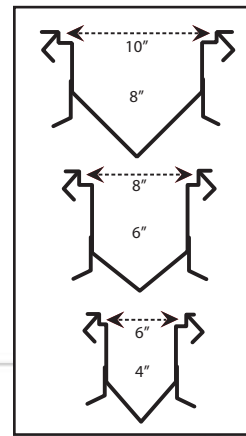


12 GAGE STAINLESS STEEL

- **Trench Drains**

- With catch basins and strainer baskets available in 4", 6" and 8" widths, as well as custom shapes & widths
- Can accommodate 1" to 1 1/2" thick covers

- **Slot Drains** - With catch basins and strainer baskets



Slot Drain
M135



Seams are meticulously welded for permanence.



Our tough top and bottom anchors stay in place.



TD-4

1/2" Trench Drain



Fiberglass and galvanized drain gratings are standard. Optional covers are available in stainless steel or cast iron.



Junctions are also expertly welded during installation.



Trench drains in 8", 6", and 4" widths and slot drain (above, left to right).

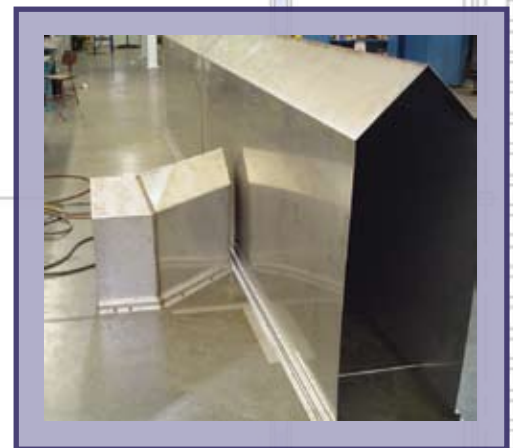
COMPREHENSIVE SERVICES

Have our experts provide a turnkey product for your needs, or have your in-house maintenance personnel install your new system with our support. Either way, you will benefit from our high quality control standards.



FABRICATION FACILITY

- Ample, well-equipped facility
- Certified heli-arc, M.I.G., arc and gas welding, both in-shop and field.



Professional fabricators build to your specifications.



6" Trench Drain

4" Trench Drain

4" Trench Drain